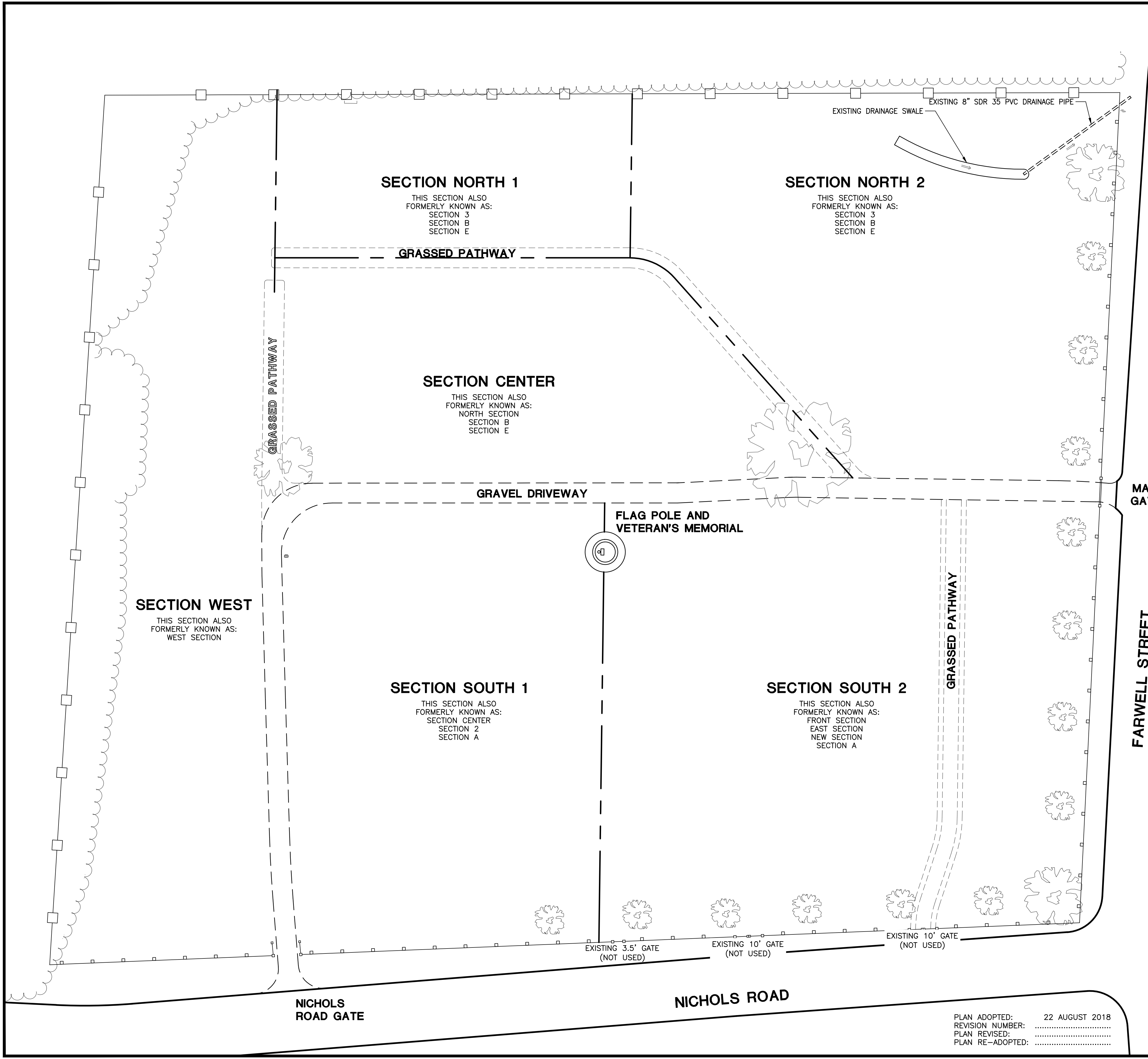
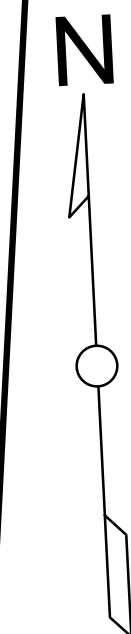


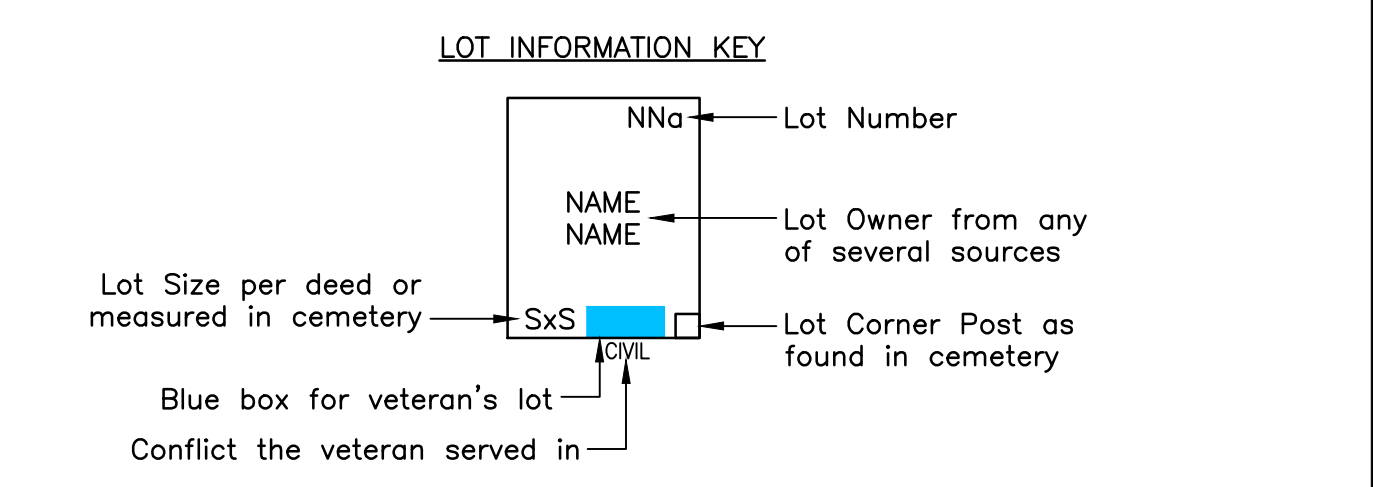
C:\Users\harrington\Documents\Maplewood Cemetery\Drawings\Maplewood Cem.dwg, 01-Overall, 8/21/2018 4:13:39 AM, harrington, DWG To PDF (600 dpi).pc3



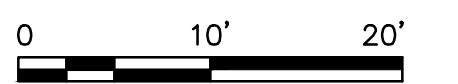
- NOTES:
- FROM AN EXISTING LOTTING MAP, "MAPLEWOOD CEMETERY," TOWN OF BARRE, VERMONT. THE MAP CARRIES NO DATE, HOWEVER THE NAMES HAD BEEN ADDED AS LATE AS 4-14-1983.
 - RECORDS COULD NOT BE FOUND TO DOCUMENT ALL OWNERSHIPS OR FAMILIES BURIED AT THE MAPLEWOOD CEMETERY. SOME DEEDS ARE ON FILE AT THE BARRE TOWN CLERK'S OFFICE. THE SCHEMATIC DEPICTION OF ANY LOT OR THE ADDITION OF ANY NAME TO THE LOT DOES NOT AUTHENTICATE ANY CLAIMS OF OWNERSHIP.
 - AN ATTEMPT HAS BEEN MADE TO TRANSCRIBE THE MONUMENTS THAT STILL EXIST. SEVERAL HAVE BECOME VERY DIFFICULT TO READ, SOME NO LONGER SHOW ANY TEXT AT ALL.
 - THE LAYOUT OF THE CEMETERY IS A SCHEMATIC INTERPRETATION OF THE SITE. THE SCHEMATIC HAS BEEN PREPARED BY COLLECTING MEASUREMENTS IN THE FIELD AND ARRANGING THE EXISTING STONES ON PAPER IN RELATION TO THE CEMETERY BOUNDARY LINES, ALSO SKETCHED IN. DATA COMPILED BY CEMETERY COMMISSIONER DWIGHT D. HARRINGTON.
 - THE CEMETERY BOUNDARY HAS BEEN MARKED WITH A WIRE FENCE ON TWO SIDES, THE WIRE HUNG ON GRANITE FENCE POSTS, AND A WROUGHT IRON FENCE ON THE FARWELL STREET AND NICHOLS ROAD SIDES.
 - FOR FURTHER INFORMATION ON SOME OF THE FAMILIES BURIED WITHIN THE CEMETERY, SEE OTHER FILES LISTED ON THE TOWN OF BARRE WEBSITE. THESE FILES PRESENT A PARTIAL PICTURE OF THE CEMETERY AND SOME OF THE FAMILIES FOUND THERE.
 - LOT NUMBERS SHOWN ARE PRIMARILY FROM THE OLD CEMETERY LAYOUT MAP, MANY HAVE BEEN VERIFIED IN THE DEEDS. THE SAME APPLIES TO THE LOT SIZES, THOSE SHOWN ARE FROM THE OLD MAP, FROM THE DEEDS, OR FROM CORNER POSTS FOUND IN THE CEMETERY.
 - NORTH 1 SECTION: PAGE 2 OF 6; DESIGNED BUT NOT LAID OUT, A FEW LOTS HAVE BEEN VERIFIED.
 - SECTION CENTER: PAGE 2 OF 6; STILL IN USE FOR BURIALS.
 - NORTH 2 SECTION: PAGE 3 OF 6; DESIGNED BUT NOT LAID OUT.
 - SOUTH 1 SECTION: AGE 4 OF 6; HISTORIC SECTION OF THE CEMETERY, NO LONGER ACTIVELY USED FOR BURIALS.
 - SOUTH 2 SECTION: PAGE 5 OF 6; STILL IN USE FOR BURIALS.
 - WEST SECTION: PAGE 6 OF 6; MOSTLY FILLED OR UNVERIFIED, A FEW LOTS STILL AVAILABLE IN THE NORTHERLY PORTION OF THE SECTION.
 - THE EDGES OF THE SECTIONS OUTLINED ABOVE AND SHOWN IN THESE SCHEMATICS REPRESENT THEIR RELATIVE POSITIONS AS OF 2013. SOME AREAS ARE SUBJECT TO CHANGE WITH FUTURE CEMETERY USE AND DEVELOPMENT.
 - THE SECTION NAMES USED IN THESE SCHEMATICS HAVE BEEN ADOPTED BY THE BARRE TOWN CEMETERY COMMISSION. A SEARCH OF THE DEEDS, OTHER INDEX FILES, AND THE CEMETERY CARD INDEX FILES SHOWED VARIOUS NAMES FOR THE SAME SECTIONS OVER THE TIME PERIOD(S) COVERED BY THOSE DOCUMENTS. THE COMMISSION CONSOLIDATED THE NAMES INTO THE BOUNDARIES FOUND ON THE OLD MAP. THE NEW NAMES, AS WELL AS THE FORMER NAMES APPEAR ON THIS OVERALL SCHEMATIC VIEW OF MAPLEWOOD CEMETERY.
 - CHARLES N. BARBER, A TOWN AUDITOR AND CLERK OF THE BOARD, ALSO RECEIVED MONEY FOR SURVEYING AND SETTING IRON MARKERS AND FOR LABOR AND CASH PAID OUT FOR CONSTRUCTING THE FOUNTAIN BASIN AT MAPLEWOOD CEMETERY. THERE IS A CONCRETE RING AND FOUNDATION SERVING AS THE SITE OF THE CEMETERY FLAG POLE AND VETERANS' MONUMENT BETWEEN SECTIONS SOUTH1 AND SOUTH2, PROBABLY THE ORIGINAL FOUNTAIN.



- LEGEND:
- CEMETERY SECTION DIVISION LINE
 - - - EXISTING WROUGHT IRON FENCE
 - - - EXISTING GRANITE POST AND WIRE FENCE
 - ~ ~ ~ APPROXIMATE EDGE OF TREE CANOPY EDGE
 - 🌳 EXISTING TREE OR BUSH



PLAN ADOPTED: 22 AUGUST 2018
REVISION NUMBER:
PLAN REVISED:
PLAN RE-ADOPTED:



MAPLEWOOD CEMETERY
BARRE TOWN, VERMONT
Overall Site Plan Schematic
Cemetery Year 2017

PLAN ADOPTED: 22 AUGUST 2018
REVISION NUMBER:
PLAN REVISED:
PLAN RE-ADOPTED: